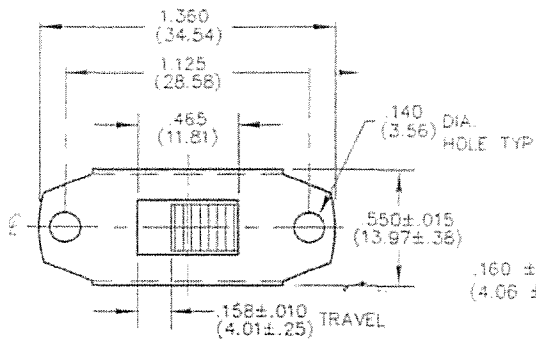
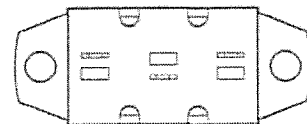
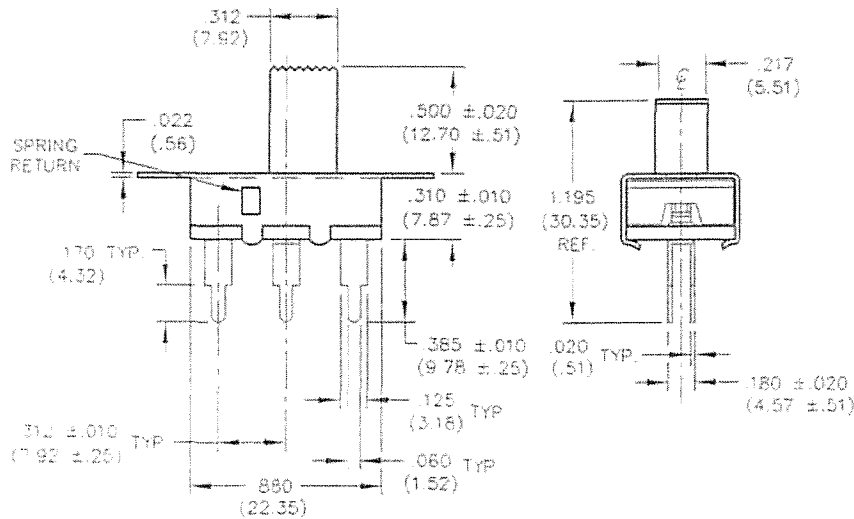
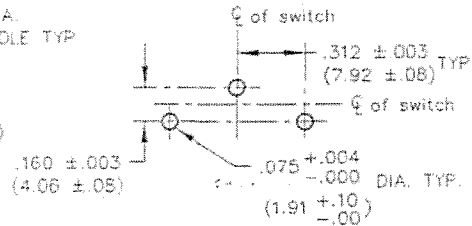


DIMENSIONS IN INCHES (MILLIMETERS)
DO NOT SCALE DRAWING

Dwg. No.
G-332-0043



P.C. LAYOUT



**BOTTOM VIEW
(RELOCATED)**

E
D
C
B
A

1 2 3 4 5 6 7 8 9 10

B-FORMA1 2002
REVISIONS
RELEASED
D/W 9-27-2006
OCT 02 2006

CW INDUSTRIES
Southampton, Pa. 18966

Title: **SLIDE SWITCH
SPRING RETURN
S.P.-D.T.**

TOLERANCES UNLESS OTHERWISE SPECIFIED:
2 Place Decimal ±.010 METRIC
3 Place Decimal ±.005 1 Place Dec. ±.25mm
Angles ±1' 2 Place Dec. ±.13mm

Made for: CW IND.
Drawn by: DGW 9-27-2006
Checked by: G.Gud 4-28-06
Approval: *[Signature]* 4-29-06

Division: **SWITCH**
Dwg. No.: **G-332-0043**

REF FILE, MAIL